

JIKA

Shower Toilet JIKAclean MILA

Superior hygiene and comfort



Innovative Shower Toilet JIKAclean MILA

The JIKAclean MILA shower toilet impresses with advanced features designed and developed to meet the demand for perfect hygiene and maximum comfort. The wall-hung WC with an integrated bidet nozzle offers rear and lady shower functions with pulsation and oscillation. These can be easily controlled via the built-in rotary button or remote control, which also allows adjustment of additional settings such as water flow intensity.

The user experience is further enhanced by a drying function. Overall comfort is increased by an ergonomically shaped heated seat with antibacterial surface and a slow-close lid, as well as a bowl night light.

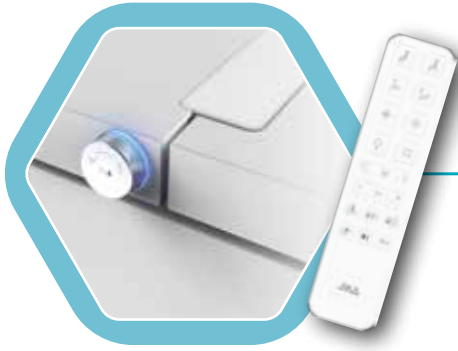
The toilet was designed with hygiene in every aspect. That's why it features rimless technology. Hygiene standards are further boosted by UV light disinfection and a descaling function. Another benefit is the option of touchless flushing thanks to the AUTO flush function.



Easy Maintenance

The maintenance of the toilet is very intuitive and easy thanks to the Descaling function.





**Intuitive control
via Rotary Button
and Remote Control**



**WC Rimless – toilet bowl
without flushing rim**



***AUTO flush –
automatic flushing function**

**For touchless automatic flushing,
the automatic flush unit must be purchased
separately.*

CLEANING

- Rear and front
- With pulsation and oscillation

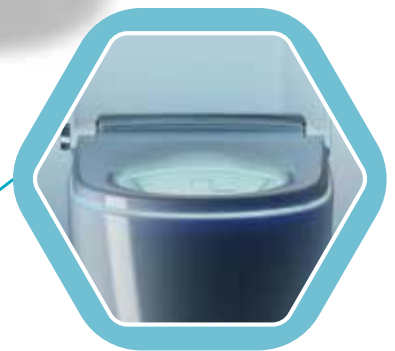
DRYING



**Odour extraction
& UV Light
Disinfection**



Ergonomic Heated Seat



Night Light



JIKAclean MILA
Order No.: H821523000001

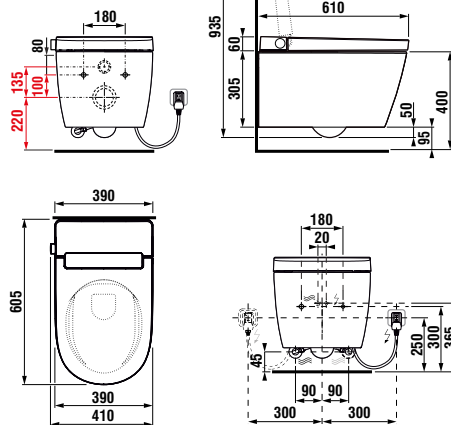
MAIN BENEFITS AND FEATURES

RIMLESS	✓
Dual flush	✓
Auto flush	optional*
Anal shower	✓
Lady shower	✓
Oscillation	✓
Pulsation	✓
Nozzle position	5 levels
Water flow intensity	5 levels
Water temperature rate	5 levels
Self-cleaning nozzle	✓
UV disinfection light of the nozzle	✓
Drying	✓
Drying temperature	5 levels
Seat with lid	slowclose, antibacterial
User Detection	✓
Seat temperature	5 levels
Odour extraction	✓
Night lighting of the bowl	✓
Indicator light	✓
Economy mode	✓
Descaling mode	✓
Rotary button controller	✓
Remote control	✓

Accessories:

H894697000001 product for removing limescale, 1 set for 2 uses (total 2 bags)

**Water and electricity connection required.



** Installation using a WC module ensures that all connections remain hidden and invisible.



Remote control



Additional automatic flush unit – AUTO flush
H892524000001



Compatible WC system module for wallhung toilets
H895652000001 and flush plates JIKA