

**GOLEM**

**Siphonic urinal, Antivandal**



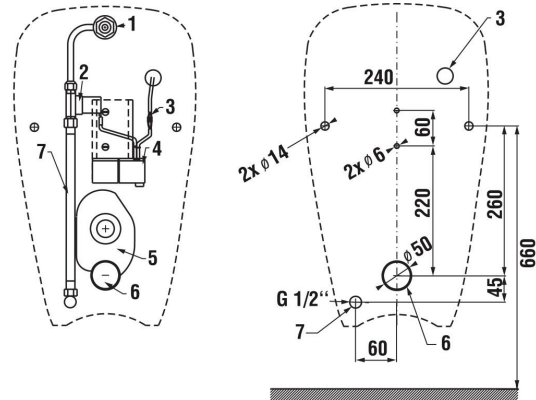
**DIMENSIONS**

Length 310 mm  
 Width 340 mm  
 Height 535 mm

**COLOURS AND OPTIONS**

● 000 White

**TECHNICAL DRAWINGS**



**FEATURES**

JIKA offers ceramic solutions geared towards the needs of the technical buildings. Among them is the siphonic urinal Golem Antivandal with inner water supply, radar sensor and 24V DC power supply. This product includes radar circuitry attached to a mounting rail - 24V power supply, solenoid valve, connecting hoses, an angle valve with filter non-return valve, an inlet valve with gaslets, a siphon (0,5-4 l), a fixing kit and mounting template. Another benefit of this urinal is Antibak (glazed inner circuit and waste preventing dirt from sticking). It is necessary to order a power supply for the urinal, which we offer for the installation of 1-5 and for 6-9 urinals. We provide a 10-year warranty for the ceramic urinal without electronics and accessories.

Length: **310 mm**

Width: **340 mm**

Height: **535 mm**

Average water consumption (L.): **0.5**

Fixing kit: **Included**

Inlet diameter (mm): **50**

Minimum flushing quantity (l): **0.5**

Power supply (V): **24**

Power supply type: **Mains operated**


Remote control type: **Radar**

Syphon and connectors included

Vandal proof


Water inlet position: **Back horizontal**

COMPATIBLE WITH




Urinal partition, incl. installation kit

H44J601000###1



Urinal division, incl. installation kit

H847601###0001



Urinal strainer for Golem urinal

H8910620000001




Power supply 24V DC for up to 9 sensors

H895072###0001



Power supply 24 V, DC for Golem, Livo a Domino urinals

H895091###0001



Urinal system

H8936010000001

## Golem

The JIKA brand assortment includes a range of high-quality ceramic products for building technical rooms, including the complete Golem urinal series.



INSTALLATION AND USER MANUALS

 [Installation Handbook](#)



Exploded view